

Setting up the unit

DAV700/750 Orly

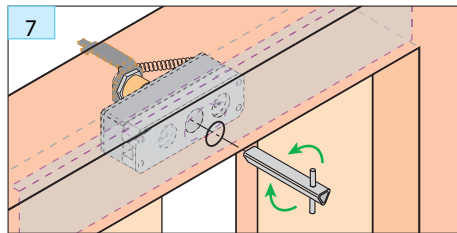
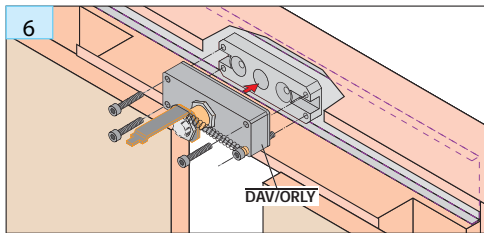
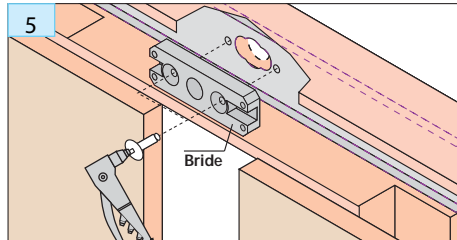
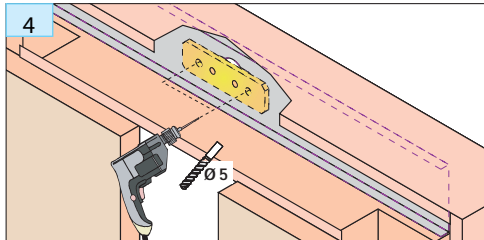
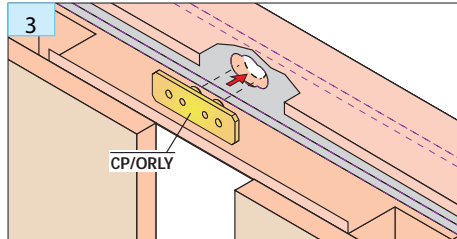
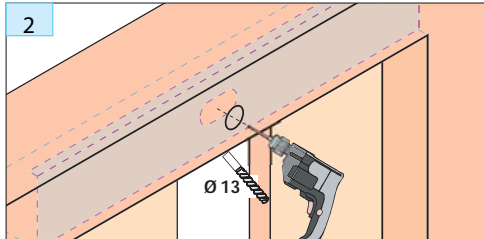
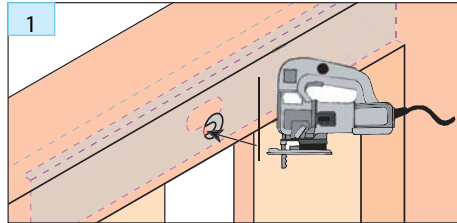
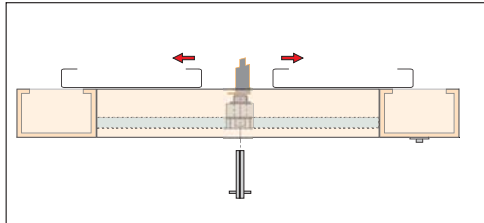
DAV800/850 Orly

CEX Orly

Tri Orly

MDV21 Orly

Mounting stages



DAV - CEX

WIRING (DAV) :

- ② : 3 wires (inverse contact) : black (common) ; gray (NO) ; blue (NC).
- ③ : 2 wires : supply 24 V dc.

MDV21

WIRING (MDV21) :

- ① : monostable security contact
- ② : Microswitch
- ③ : Option EN81-71.



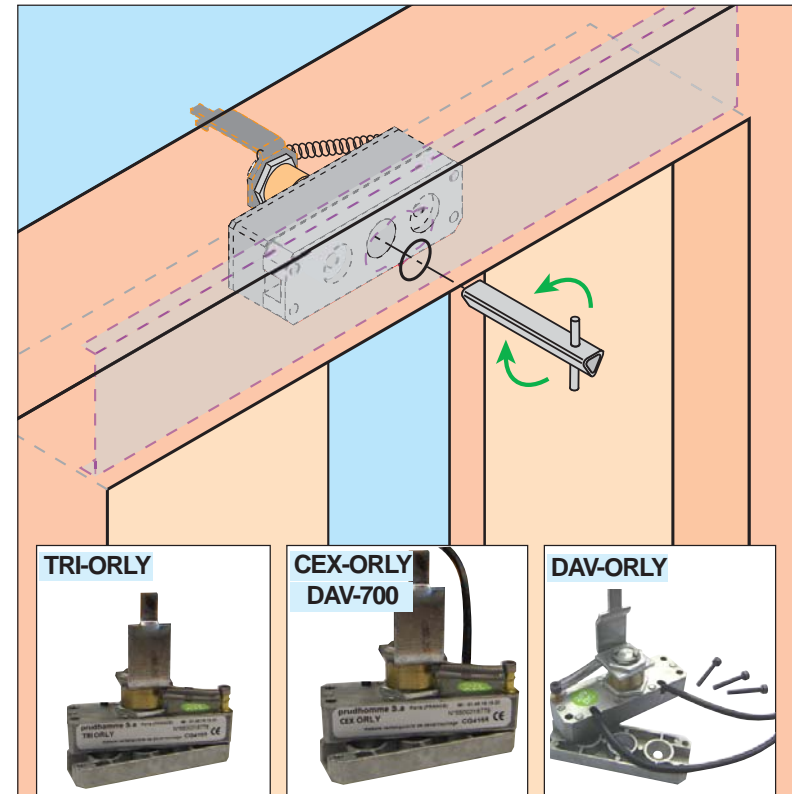
Works with a bistable rearming Controller ARM/MDV21.

prudhomme S.a

38, Rue Charles de Gaulle F
94140 Paris/Alfortville
www.prudhomme.com
Tél. : +33 01 45 18 19 20
Fax : +33 01 45 18 19 21

- Electromechanical anti vandal unlocking (type ORLY/Otis)

- Double door-opening detector (type ORLY/Otis) Conformity with EN81.21, EN81.21 + EN81.71



Supplies :

- Set DAV/Orly or CEX/Orly or Tri/Orly or MDV21/Orly + Screws.

Optional :

CP/Orly.

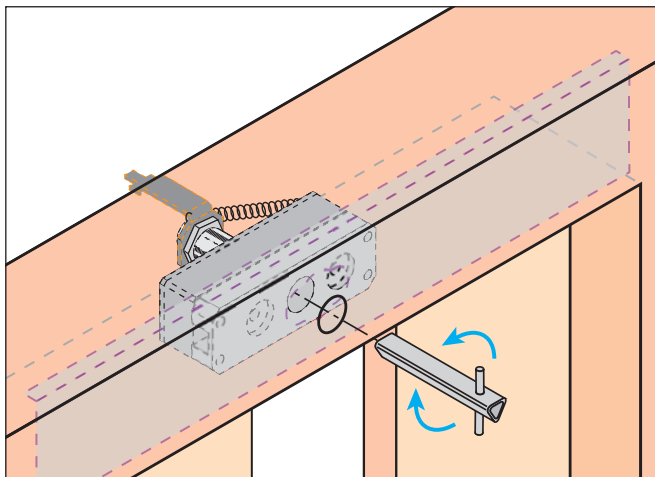
PLEASE, BEFORE INSTALLATION, READ IT CAREFULLY.

prudhomme S.a

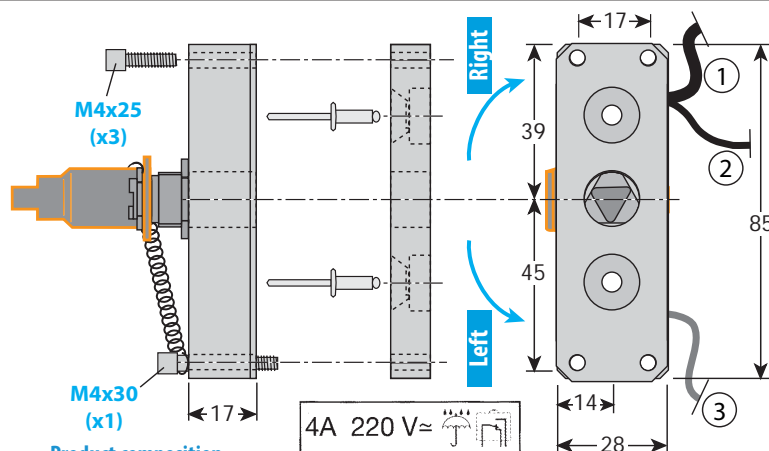
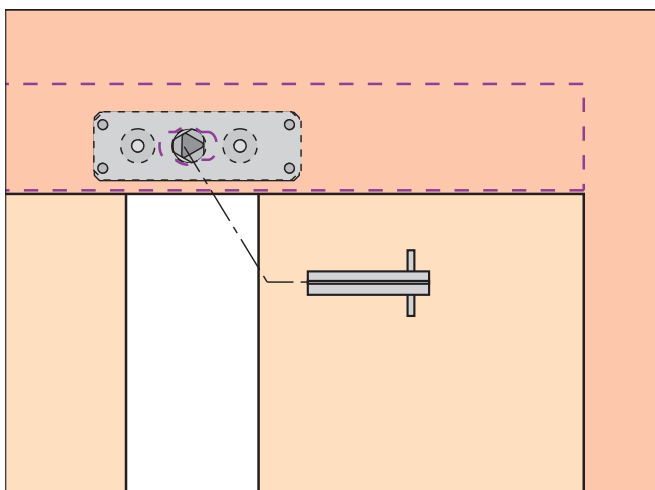
Matériel spécifique pour ascenseurs - specific parts and components for elevators

NI-A Document non contractuel, sous réserve de modification - Reproduction interdite. NI Ind. Adu 15/03/2018

- Double door-opening detector (type ORLY/Otis) Conformity with EN81.21, EN81.21 + EN81.71



New installation and Renovation



Product composition

Rep.	Qty.	Designation
1	1	DAV-ORLY
2	1	Bride

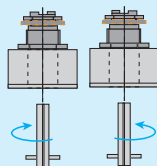
Screws

Rep.	Qty.	Designation
3	2	Rivets Ø4x16 F / steel
4	4	Screw CHC 4x25 treated



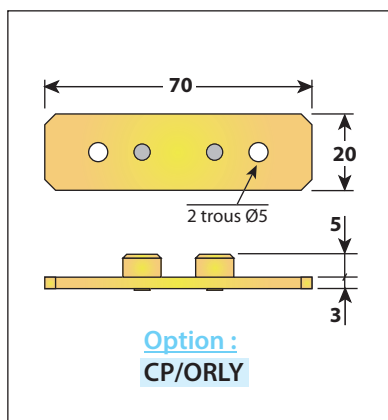
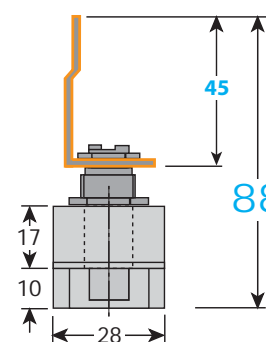
IMPORTANT :

Specify the unlocking sense (right or left).



DAV700 Orly-G
DAV750 Orly-G
DAV800 Orly-G
DAV850 Orly-G
CEX Orly-G
MDV21 Orly-G

DAV700 Orly-D
DAV750 Orly-D
DAV800 Orly-D
DAV850 Orly-D
CEX Orly-D
MDV21 Orly-D



DAV - CEX

- **DAV700 Orly** (24 V dc - 100 mA) : Locking only, **Switched on** : device blocking.

- **DAV750 Orly** (24 V dc - 100 mA) : Locking only, **Switched off** : device blocking.

- **DAV800 Orly** (24 V dc - 100 mA) : Switched on, mechanical sticking accessible to the triangle (impossible to use the unlocking key of the lock).

- **DAV850 Orly** (24 V dc - 100 mA) : Switched off, mechanical sticking accessible to the triangle (impossible to use the unlocking key of the lock).

- **CEX Orly** (microswitch) : inverse contact for buzzer.

WIRING (DAV) :

- ② : 3 wires (inverse contact) : **black** (common), **gray** (no blue (NC)
- ③ : 2 wires : feeding 24 V dc

MDV21

WIRING (MDV21) :

- ① : monostable security contact
- ② : Microswitch
- ③ : Option EN81-71.

